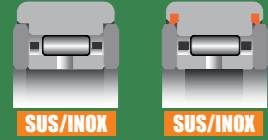


ROLLER FOLLOWERS

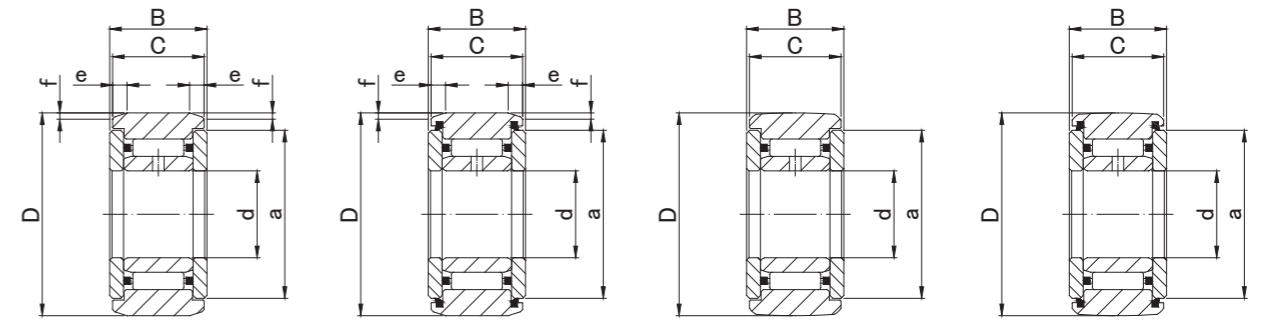
STAINLESS STEEL

SEPARABLE WITH INNER RING WITH SHIELD



NAST..MZZ

STAINLESS STEEL



NAST..MZZ

NAST..MZZUU

NAST..MZZR

NAST..MZZUUR

NAST..MZZ TYPE

Prepacked Grease

Shaft Diameter (mm)	Designation				Dimensions (mm)								Basic dynamic load rating	Basic static load rating	Track load capacity		Limiting speed *	Mass	
	Cylindrical outer ring		Crowned outer ring (R500)		d	D	B	C	a	e	f	Cr N			Cor N	Cylindrical outer ring N			Crowned outer ring N
	Without seals	With seals	Without seals	With seals															
6	NAST 6MZZ	NAST 6MZZUU	NAST 6MZZR	NAST 6MZZUUR	6 ⁰ _{-0.008}	19	14	13.8	14	2.5	0.8	3 790	4 180	3 530	1 370	20 000	24.5		
8	NAST 8MZZ	NAST 8MZZUU	NAST 8MZZR	NAST 8MZZUUR	8 ⁰ _{-0.008}	24	14	13.8	17.5	2.5	0.8	5 220	5 410	4 510	1 860	17 000	39		
10	NAST10MZZ	NAST10MZZUU	NAST10MZZR	NAST10MZZUUR	10 ⁰ _{-0.008}	30	16	15.8	23.5	2.5	0.8	8 920	8 890	6 860	2 450	15 000	65		
12	NAST12MZZ	NAST12MZZUU	NAST12MZZR	NAST12MZZUUR	12 ⁰ _{-0.008}	32	16	15.8	25.5	2.5	0.8	9 560	10 020	7 350	2 740	13 000	75		
15	NAST15MZZ	NAST15MZZUU	NAST15MZZR	NAST15MZZUUR	15 ⁰ _{-0.008}	35	16	15.8	29	2.5	0.8	11 310	13 150	8 040	3 140	10 000	83		
17	NAST17MZZ	NAST17MZZUU	NAST17MZZR	NAST17MZZUUR	17 ⁰ _{-0.010}	40	20	19.8	32.5	3	1	16 000	19 220	11 800	3 720	9 500	135		
20	NAST20MZZ	NAST20MZZUU	NAST20MZZR	NAST20MZZUUR	20 ⁰ _{-0.010}	47	20	19.8	38	3	1	17 660	22 540	13 800	4 610	8 500	195		
25	NAST25MZZ	NAST25MZZUU	NAST25MZZR	NAST25MZZUUR	25 ⁰ _{-0.010}	52	20	19.8	43	3	1	19 040	26 120	15 300	5 290	7 000	225		
30	NAST30MZZ	NAST30MZZUU	NAST30MZZR	NAST30MZZUUR	30 ⁰ _{-0.010}	62	25	24.8	50.5	4	1.2	27 870	41 760	22 100	6 660	5 500	400		
35	NAST35MZZ	NAST35MZZUU	NAST35MZZR	NAST35MZZUUR	35 ⁰ _{-0.012}	72	25	24.8	53.5	4	1.2	29 620	46 550	25 700	8 130	5 000	550		
40	NAST40MZZ	NAST40MZZUU	NAST40MZZR	NAST40MZZUUR	40 ⁰ _{-0.012}	80	26	25.8	61.5	4	1.2	32 840	56 210	30 300	9 310	4 000	710		
45	NAST45MZZ	NAST45MZZUU	NAST45MZZR	NAST45MZZUUR	45 ⁰ _{-0.012}	85	26	25.8	66.5	4	1.2	34 130	61 080	31 100	10 100	4 000	760		
50	NAST50MZZ	NAST50MZZUU	NAST50MZZR	NAST50MZZUUR	50 ⁰ _{-0.012}	90	26	25.8	76	4	1.2	35 600	66 050	34 000	11 000	3 500	830		

* Without seals, suitable for grease lubrication. In case of oil lubrication, up to 130% of this value shall be permissible, and 70% of this value shall apply for types with seals.

OUTER RINGS TOLERANCE (Outside diameter) (µm)

TYPE	Cylindrical outer ring	Crowned outer ring
NAST6M,NAST8M,NAST10M	0/-9	0/-50
NAST12M,NAST15M,NAST17M,NAST20M	0/-11	0/-50
NAST25M,NAST30M,NAST35M,NAST40M	0/-13	0/-50
NAST45M,NAST50M	0/-15	0/-50