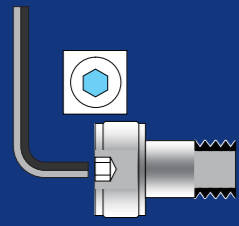


CAM FOLLOWERS

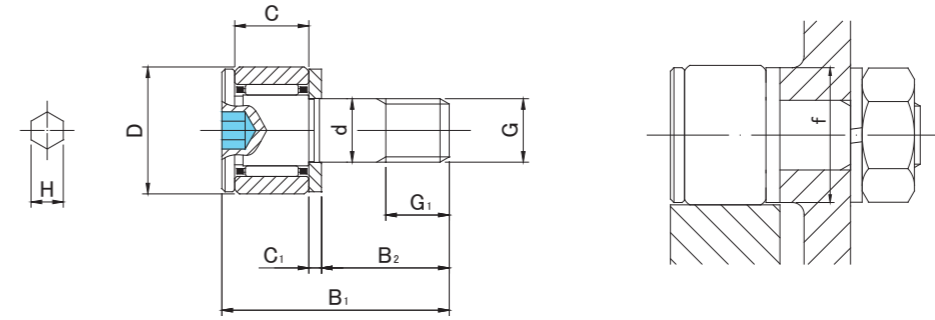
MINIATURE TYPE
HEXAGON SOCKET ON STUD HEAD



CFS..A



CFS..VA



CFS..A TYPE

Prepacked Grease

Stud diameter (mm)	h6 tolerance	Designation		Dimensions (mm)									f min	Basic dynamic load rating Cr N	Basic static load rating Cor N	Largest permissible load N	Max tightening torque N·m	Mass g (approx)
		With cage	Full complement	D	C	d	G	G1	B1	B2	C1	H						
2.5	0 -0.006	CFS 2.5A	—	5	3	2.5	M2.5×0.45	2.5	9.5	5	0.7	0.9	4.8	410	335	260	0.2	1
		—	CFS 2.5VA	—	—	—	—	—	—	—	—	—		—	1 000	1 080		
3	0 -0.006	CFS 3A	—	6	4	3	M3×0.5	3	11.5	6	0.7	1.5	5.8	630	610	360	0.3	2
		—	CFS 3VA	—	—	—	—	—	—	—	—	—		—	1 370	1 770		
4	0 -0.008	CFS 4A	—	8	5	4	M4×0.7	4	15	8	1	2	7.7	1 080	1 080	780	0.6	4
		—	CFS 4VA	—	—	—	—	—	—	—	—	—		—	2 350	3 040		
5	0 -0.008	CFS 5A	—	10	6	5	M5×0.8	5	18	10	1	2.5	9.6	1 570	1 860	1 420	1.3	7
		—	CFS 5VA	—	—	—	—	—	—	—	—	—		—	3 140	4 710		
6	0 -0.008	CFS 6A	—	12	7	6	M6×1	6	21.5	12	1.2	3	11.6	2 060	2 160	2 110	2.3	13
		—	CFS 6VA	—	—	—	—	—	—	—	—	—		—	4 610	6 270		

OUTER RINGS TOLERANCE (μm)

TYPE	Cylindrical outer ring
CFS2.5,CFS3,CFS4,CFS5,CFS6	0/-8

ACCESSORIES

TYPE	
All types	NUT Attached