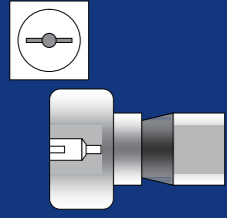


CAM FOLLOWERS

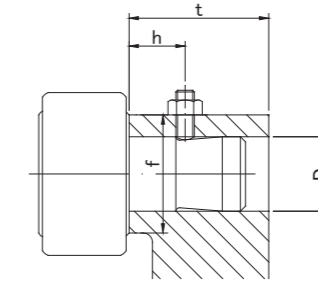
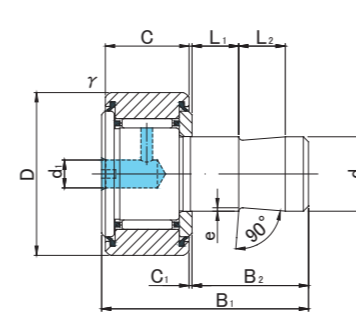
EASY MOUNTING TYPE
SCREWDRIVER SLOT HEAD



CF-SFU



CF-SFU.V



CF-SFU TYPE

Prepacked Grease

Stud diameter (mm)	h7 tolerance	Designation		Dimensions (mm)											Mounting dimensions (mm)			Basic dynamic load rating	Basic static load rating	Largest permissible load	Limiting speed	Track load capacity		Mass						
		R500(CF6~CF18) R1000(CF20≤)		D	C	d	B1	B2	C1	L1	L2	d1	e	rs min	D1 Tolerance	t Min	f Min					h (Ref)	Cr N		Cor N	N	rpm	Cylindrical outer ring N	Crowned outer ring N	g (approx)
		Cylindrical outer ring	Crowned outer ring																											
6	0 -0.012	CF-SFU-6	CF-SFU-6R	16	11	6	32	20	0.6	5	10	4	0.3	0.3	6	+0.012 0	20	11	10	3 630	3 630	2 110	17 500	3 430	1 080	19				
		CF-SFU-6V	CF-SFU-6VR																	6 960	8 530	2 110	8 400	3 430	1 080					
8	0 -0.015	CF-SFU-8	CF-SFU-8R	19	11	8	32	20	0.6	5	10	4	0.5	0.3	8	+0.015 0	20	13	10	4 310	4 710	4 710	14 000	4 020	1 370	28.5				
		CF-SFU-8V	CF-SFU-8VR																	8 130	11 170	4 710	6 300	4 020	1 370					
10	0 -0.015	CF-SFU-10	CF-SFU-10R	22	12	10	33	20	0.6	5	10	4	0.5	0.3	10	+0.015 0	20	15	10	5 390	6 860	6 860	11 900	4 700	1 670	43				
		CF-SFU-10V	CF-SFU-10VR																	9 510	14 500	7 450	5 250	4 700	1 670					
10	0 -0.015	CF-SFU-10-1	CF-SFU-10-1R	26	12	10	33	20	0.6	5	10	4	0.5	0.3	10	+0.015 0	20	15	10	5 390	6 860	6 860	11 900	5 490	2 060	58.5				
		CF-SFU-10-1V	CF-SFU-10-1VR																	9 510	14 500	7 450	5 250	5 490	2 060					
12	0 -0.018	CF-SFU-12	CF-SFU-12R	30	14	12	35	20	0.6	5	10	6	1	0.6	12	+0.018 0	20	20	10	7 940	9 800	9 800	9 800	7 060	2 450	93				
		CF-SFU-12V	CF-SFU-12VR																	13 430	19 700	11 270	4 200	7 060	2 450					
12	0 -0.018	CF-SFU-12-1	CF-SFU-12-1R	32	14	12	35	20	0.6	5	10	6	1	0.6	12	+0.018 0	20	20	10	7 940	9 800	9 800	9 800	7 450	2 740	103				
		CF-SFU-12-1V	CF-SFU-12-1VR																	13 430	19 700	11 270	4 200	7 450	2 740					
16	0 -0.018	CF-SFU-16	CF-SFU-16R	35	18	16	44.5	25	0.8	10	10	6	1	0.6	16	+0.018 0	25	24	15	12 050	18 330	18 330	7 000	11 200	3 140	164				
		CF-SFU-16V	CF-SFU-16VR																	20 680	37 630	19 800	3 150	11 200	3 140					
18	0 -0.018	CF-SFU-18	CF-SFU-18R	40	20	18	46.5	25	0.8	10	10	6	1	1	18	+0.018 0	25	26	15	14 700	25 200	25 200	5 950	14 400	3 720	235				
		CF-SFU-18V	CF-SFU-18VR																	25 280	51 350	26 560	2 450	14 400	3 720					
20	0 -0.021	CF-SFU-20	CF-SFU-20R	52	24	20	50.5	25	0.8	10	10	8	1	1	20	+0.021 0	25	36	15	20 680	34 600	32 140	4 900	23 200	8 230	436				
		CF-SFU-20V	CF-SFU-20VR																	33 120	64 480	32 140	2 450	23 200	8 230					
20	0 -0.021	CF-SFU-20-1	CF-SFU-20-1R	47	24	20	50.5	25	0.8	10	10	8	1	1	20	+0.021 0	25	36	15	20 680	34 600	32 140	4 900	21 000	7 150	361				
		CF-SFU-20-1V	CF-SFU-20-1VR																	32 120	64 480	32 140	2 450	21 000	7 150					

OUTER RINGS TOLERANCE (μm)

TYPE	Cylindrical outer ring	Crowned outer ring
CF6	0/-8	0/-50
CF8,CF10,CF10-1,CF12	0/-9	0/-50
CF12-1,CF16,CF18,CF20-1	0/-11	0/-50
CF20	0/-13	0/-50

ACCESSORIES

TYPE	STOP PLUG	RESIN PLUG
CF6/CF8/CF10/CF10-1	—	φ 4 Attached
CF12/CF12-1/CF16/CF18	φ 6 Attached	φ 6 Attached
CF20/CF20-1	φ 8 Attached	φ 8 Attached