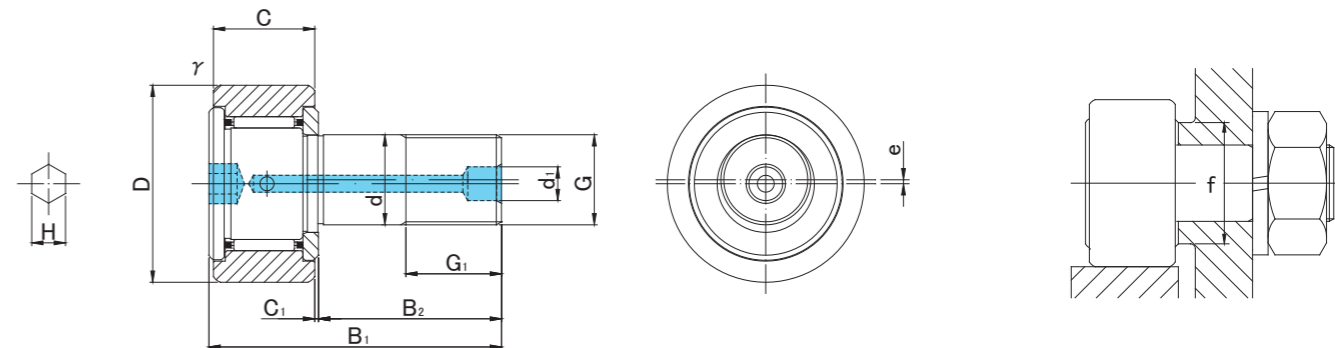
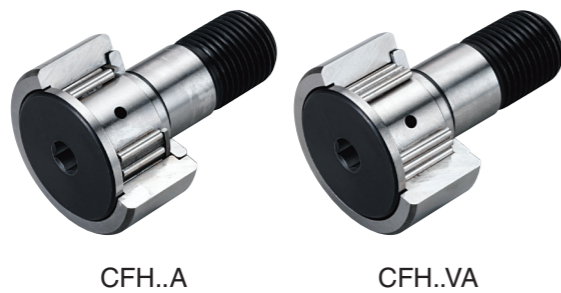
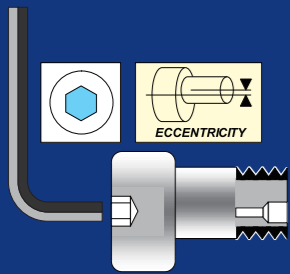


CAM FOLLOWERS

SOLID ECCENTRIC TYPE
HEXAGON SOCKET ON STUD HEAD



CFH..A TYPE

Prepacked Grease

Stud diameter (mm)	h7 tolerance	Designation				Dimensions (mm)															Basic dynamic load rating Cr N	Basic static load rating Cor N	Largest permissible load N	Limiting speed * rpm	Track load capacity		Max tightening torque N·m	Mass g (approx)
		Cylindrical outer ring		Crowned outer ring R250(CF5) R500(CF6~CF18) R1000(CF20 ≤)		D	C	d	G	G1	B1	B2	C1	d1	H	r _s min	e	f min	Cylindrical outer ring N	Crowned outer ring N								
		Without seals	With seals	Without seals	With seals																							
12	0 -0.018	CFH12A	CFH12UUA	CFH12RA	CFH12UURA	30	14	12	M12×1.5	13	40	25	0.6	6	6	0.6	0.4	20	7 940	9 800	9 800	14 000	7 060	2 450	22	95		
		CFH12VA	CFH12VUUA	CFH12VRA	CFH12VUURA														13 430	19 700	11 270	6 000						
12	0 -0.018	CFH12-1A	CFH12-1UUA	CFH12-1RA	CFH12-1UURA	32	14	12	M12×1.5	13	40	25	0.6	6	6	0.6	0.4	20	7 940	9 800	9 800	14 000	7 450	2 740	22	105		
		CFH12-1VA	CFH12-1VUUA	CFH12-1VRA	CFH12-1VUURA														13 430	19 700	11 270	6 000						
16	0 -0.018	CFH16A	CFH16UUA	CFH16RA	CFH16UURA	35	18	16	M16×1.5	17	52	32.5	0.8	6	6	0.6	0.5	24	12 050	18 330	18 330	10 000	11 200	3 140	58	170		
		CFH16VA	CFH16VUUA	CFH16VRA	CFH16VUURA														20 680	37 630	19 800	4 500						
18	0 -0.018	CFH18A	CFH18UUA	CFH18RA	CFH18UURA	40	20	18	M18×1.5	19	58	36.5	0.8	6	6	1	0.6	26	14 700	25 200	25 200	8 500	14 400	3 720	87	250		
		CFH18VA	CFH18VUUA	CFH18VRA	CFH18VUURA														25 280	51 350	26 560	3 500						
20	0 -0.021	CFH20A	CFH20UUA	CFH20RA	CFH20UURA	52	24	20	M20×1.5	21	66	40.5	0.8	8	8	1	0.7	36	20 680	34 600	32 140	7 000	23 200	8 230	120	460		
		CFH20VA	CFH20VUUA	CFH20VRA	CFH20VUURA														33 120	64 480	32 140	3 500						
20	0 -0.021	CFH20-1A	CFH20-1UUA	CFH20-1RA	CFH20-1UURA	47	24	20	M20×1.5	21	66	40.5	0.8	8	8	1	0.7	36	20 680	34 600	32 140	7 000	21 000	7 150	120	385		
		CFH20-1VA	CFH20-1VUUA	CFH20-1VRA	CFH20-1VUURA														33 120	64 480	32 140	3 500						
24	0 -0.021	CFH24A	CFH24UUA	CFH24RA	CFH24UURA	62	29	24	M24×1.5	25	80	49.5	0.8	8	8	1	0.8	40	30 480	52 630	49 500	6 500	34 200	10 500	220	815		
		CFH24VA	CFH24VUUA	CFH24VRA	CFH24VUURA														46 550	92 020	49 500	3 000						
24	0 -0.021	CFH24-1A	CFH24-1UUA	CFH24-1RA	CFH24-1UURA	72	29	24	M24×1.5	25	80	49.5	0.8	8	8	1	0.8	40	30 480	52 630	49 500	6 500	39 800	12 900	220	1 140		
		CFH24-1VA	CFH24-1VUUA	CFH24-1VRA	CFH24-1VUURA														46 550	92 020	49 500	3 000						
30	0 -0.021	CFH30A	CFH30UUA	CFH30RA	CFH30UURA	80	35	30	M30×1.5	32	100	63	1	8	8	1	1	46	45 370	85 060	73 700	5 000	52 600	14 900	450	1 870		
		CFH30VA	CFH30VUUA	CFH30VRA	CFH30VUURA														67 620	144 060	73 700	2 200						
30	0 -0.021	CFH30-1A	CFH30-1UUA	CFH30-1RA	CFH30-1UURA	85	35	30	M30×1.5	32	100	63	1	8	8	1	1	46	45 370	85 060	73 700	5 000	56 000	16 100	450	2 030		
		CFH30-1VA	CFH30-1VUUA	CFH30-1VRA	CFH30-1VUURA														67 620	144 060	73 700	2 200						
30	0 -0.021	CFH30-2A	CFH30-2UUA	CFH30-2RA	CFH30-2UURA	90	35	30	M30×1.5	32	100	63	1	8	8	1	1	46	45 370	85 060	73 700	5 000	59 300	17 300	450	2 220		
		CFH30-2VA	CFH30-2VUUA	CFH30-2VRA	CFH30-2VUURA														67 620	144 060	73 700	2 200						

* Without seals, suitable for grease lubrication. In case of oil lubrication, up to 130% of this value shall be permissible, and 70% of this value shall apply for types with seals.

OUTER RINGS TOLERANCE (μm)

TYPE	Cylindrical outer ring	Crowned outer ring
CF12	0/-9	0/-50
CF12-1,CF16,CF18,CF20-1	0/-11	0/-50
CF20,CF24,CF24-1,CF30	0/-13	0/-50
CF30-1,CF30-2	0/-15	0/-50

ACCESSORIES

TYPE	STOP PLUG	RESIN PLUG	NUT
CF12/CF12-1/CF16/CF18	φ 6 Attached	φ 6 Attached	Attached
CF20/CF20-1/CF24/CF24-1/CF30/CF30-1/CF30-2	φ 8 Attached	φ 8 Attached	Attached