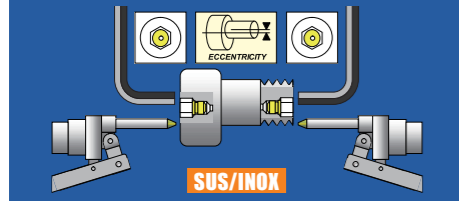


**CAM FOLLOWERS  
STAINLESS STEEL**

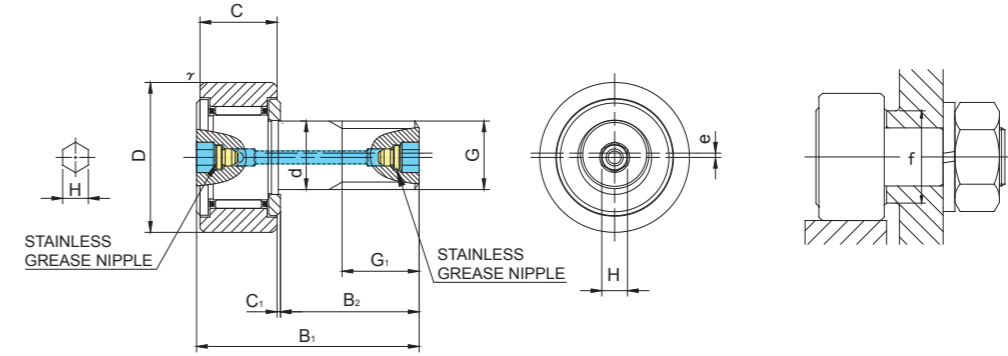
**SOLID ECCENTRIC TYPE  
HEXAGON SOCKET ON BOTH SIDES  
GREASE NIPPLE INSTALLED**



CFH..MAB



CFH..VMAB



**CFH..MAB TYPE**

Prepacked Grease

Stud diameter (mm)	h7 tolerance	Designation				Dimensions (mm)												Basic dynamic load rating Cr N	Basic static load rating Cor N	Largest permissible load N	Limiting speed rpm	Track load capacity		Max tightening torque N·m	Mass g (approx)
		Cylindrical outer ring		Crowned outer ring R500(CF12 ~ CF18) R1000(CF20 ≤)		D	C	d	G	G1	B1	B2	C1	H	r min	e	f min					Cylindrical outer ring N	Crowned outer ring N		
12	0 -0.018	CFH12MAB	CFH12MUUAB	CFH12MRAB	CFH12MUURAB	30	14	12	M12×1.5	13	40	25	0.6	6	0.6	0.4	20	7 300	9 010	9 800	14 000	7 060	2 450	22	95
		CFH12VMAB	CFH12VMUAB	CFH12VMRAB	CFH12VMUURAB													12 350	18 120	11 270	6 000				
12	0 -0.018	CFH12-1MAB	CFH12-1MUUAB	CFH12-1MRAB	CFH12-1MUURAB	32	14	12	M12×1.5	13	40	25	0.6	6	0.6	0.4	20	7 300	9 010	9 800	14 000	7 450	2 740	22	105
		CFH12-1VMAB	CFH12-1VMUAB	CFH12-1VMRAB	CFH12-1VMUURAB													12 350	18 120	11 270	6 000				
16	0 -0.018	CFH16MAB	CFH16MUUAB	CFH16MRAB	CFH16MUURAB	35	18	16	M16×1.5	17	52	32.5	0.8	6	0.6	0.5	24	11 080	16 860	18 330	10 000	11 200	3 140	58	170
		CFH16VMAB	CFH16VMUAB	CFH16VMRAB	CFH16VMUURAB													19 020	34 610	19 800	4 500				
18	0 -0.018	CFH18MAB	CFH18MUUAB	CFH18MRAB	CFH18MUURAB	40	20	18	M18×1.5	19	58	36.5	0.8	6	1	0.6	26	13 520	23 180	25 200	8 500	14 400	3 720	87	250
		CFH18VMAB	CFH18VMUAB	CFH18VMRAB	CFH18VMUURAB													23 250	47 240	26 560	3 500				
20	0 -0.021	CFH20MAB	CFH20MUUAB	CFH20MRAB	CFH20MUURAB	52	24	20	M20×1.5	21	66	40.5	0.8	8	1	0.7	36	19 020	31 830	32 140	7 000	23 200	8 230	120	460
		CFH20VMAB	CFH20VMUAB	CFH20VMRAB	CFH20VMUURAB													30 470	59 320	32 140	3 500				
20	0 -0.021	CFH20-1MAB	CFH20-1MUUAB	CFH20-1MRAB	CFH20-1MUURAB	47	24	20	M20×1.5	21	66	40.5	0.8	8	1	0.7	36	19 020	31 830	32 140	7 000	21 000	7 150	120	385
		CFH20-1VMAB	CFH20-1VMUAB	CFH20-1VMRAB	CFH20-1VMUURAB													30 470	59 320	32 140	3 500				

CFH..MAB TYPE has oil holes (grease nipple) which are prepared in the stud head and thread side, also an oil hole is prepared in the outer surface of stud.

\* Without seals, suitable for grease lubrication. In case of oil lubrication, up to 130% of this value shall be permissible, and 70% of this value shall apply for types with seals.

OUTER RINGS TOLERANCE (μm)

TYPE	Cylindrical outer ring	Crowned outer ring
CF12	0/-9	0/-50
CF12-1,CF16,CF18,CF20-1	0/-11	0/-50
CF20,CF24,CF24-1,CF30	0/-13	0/-50
CF30-1,CF30-2	0/-15	0/-50

ACCESSORIES

TYPE	Installed	Attached
All types	STAINLESS GREASE NIPPLE	STAINLESS NUT

