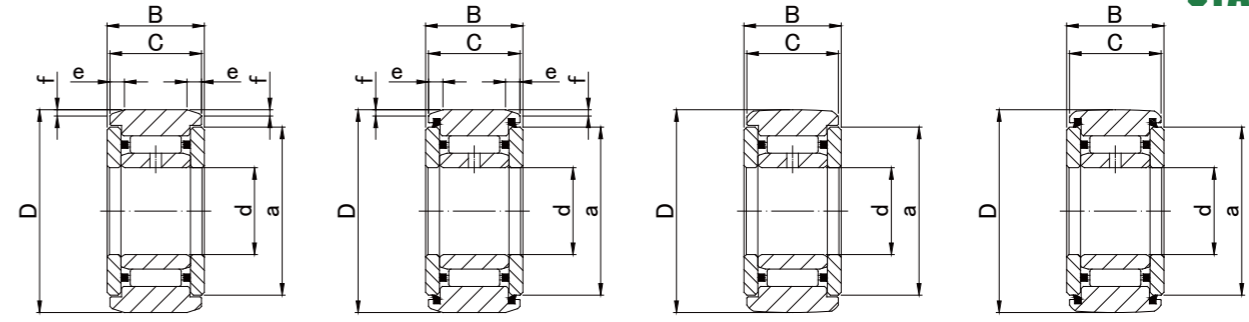


ROLLER FOLLOWERS
STAINLESS STEEL
SEPARABLE WITH INNER RING WITH SHIELD



NAST..MZZ



NAST..MZZ

NAST..MZZUU

NAST..MZZR

NAST..MZZUUR

NAST..MZZ TYPE

Prepacked Grease

Shaft Diameter (mm)	Designation				Dimensions (mm)									Basic dynamic load rating Cr N	Basic static load rating Cor N	Track load capacity		Limiting speed * rpm	Mass g (approx)
	Cylindrical outer ring		Crowned outer ring (R500)		d	D	B	C	a	e	f	r/s min	Cylindrical outer ring N			Crowned outer ring N			
	Without seals	With seals	Without seals	With seals															
6	NAST 6MZZ	NAST 6MZZUU	NAST 6MZZR	NAST 6MZZUUR	6 ⁰ _{-0.008}	19	14	13.8	14	2.5	0.8	0.3	3 790	4 180	3 530	1 370	20 000	24.5	
8	NAST 8MZZ	NAST 8MZZUU	NAST 8MZZR	NAST 8MZZUUR	8 ⁰ _{-0.008}	24	14	13.8	17.5	2.5	0.8	0.6	5 220	5 410	4 510	1 860	17 000	39	
10	NAST10MZZ	NAST10MZZUU	NAST10MZZR	NAST10MZZUUR	10 ⁰ _{-0.008}	30	16	15.8	23.5	2.5	0.8	1	8 920	8 890	6 860	2 450	15 000	65	
12	NAST12MZZ	NAST12MZZUU	NAST12MZZR	NAST12MZZUUR	12 ⁰ _{-0.008}	32	16	15.8	25.5	2.5	0.8	1	9 560	10 020	7 350	2 740	13 000	75	
15	NAST15MZZ	NAST15MZZUU	NAST15MZZR	NAST15MZZUUR	15 ⁰ _{-0.008}	35	16	15.8	29	2.5	0.8	1	11 310	13 150	8 040	3 140	10 000	83	
17	NAST17MZZ	NAST17MZZUU	NAST17MZZR	NAST17MZZUUR	17 ⁰ _{-0.010}	40	20	19.8	32.5	3	1	1	16 000	19 220	11 800	3 720	9 500	135	
20	NAST20MZZ	NAST20MZZUU	NAST20MZZR	NAST20MZZUUR	20 ⁰ _{-0.010}	47	20	19.8	38	3	1	1	17 660	22 540	13 800	4 610	8 500	195	
25	NAST25MZZ	NAST25MZZUU	NAST25MZZR	NAST25MZZUUR	25 ⁰ _{-0.010}	52	20	19.8	43	3	1	1	19 040	26 120	15 300	5 290	7 000	225	
30	NAST30MZZ	NAST30MZZUU	NAST30MZZR	NAST30MZZUUR	30 ⁰ _{-0.010}	62	25	24.8	50.5	4	1.2	1	27 870	41 760	22 100	6 660	5 500	400	
35	NAST35MZZ	NAST35MZZUU	NAST35MZZR	NAST35MZZUUR	35 ⁰ _{-0.012}	72	25	24.8	53.5	4	1.2	1	29 620	46 550	25 700	8 130	5 000	550	
40	NAST40MZZ	NAST40MZZUU	NAST40MZZR	NAST40MZZUUR	40 ⁰ _{-0.012}	80	26	25.8	61.5	4	1.2	1.5	32 840	56 210	30 300	9 310	4 000	710	
45	NAST45MZZ	NAST45MZZUU	NAST45MZZR	NAST45MZZUUR	45 ⁰ _{-0.012}	85	26	25.8	66.5	4	1.2	1.5	34 130	61 080	31 100	10 100	4 000	760	
50	NAST50MZZ	NAST50MZZUU	NAST50MZZR	NAST50MZZUUR	50 ⁰ _{-0.012}	90	26	25.8	76	4	1.2	1.5	35 600	66 050	34 000	11 000	3 500	830	

* Without seals, suitable for grease lubrication. In case of oil lubrication, up to 130% of this value shall be permissible, and 70% of this value shall apply for types with seals.

OUTER RINGS TOLERANCE (Outside diameter) (µm)

TYPE	Cylindrical outer ring	Crowned outer ring
NAST6M,NAST8M,NAST10M	0/-9	0/-50
NAST12M,NAST15M,NAST17M,NAST20M	0/-11	0/-50
NAST25M,NAST30M,NAST35M,NAST40M	0/-13	0/-50
NAST45M,NAST50M	0/-15	0/-50