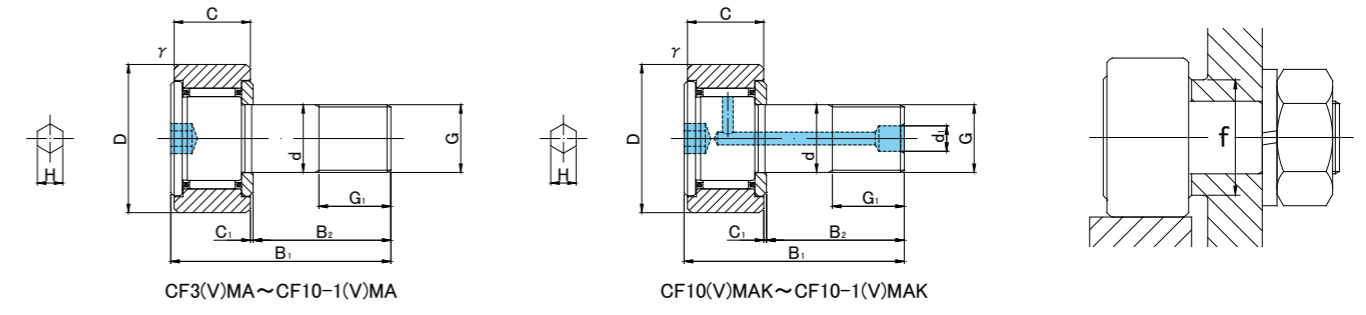




CF..MA CF..VMA



CF..MA TYPE

Prepacked Grease

Stud diameter (mm)	h7 tolerance	Designation				Dimensions (mm)														Basic dynamic load rating Cr N	Basic static load rating Cor N	Largest permissible load N	Limiting speed * rpm	Track load capacity		Max tightening torque N·m	Mass g (approx)
		Cylindrical outer ring		Crowned outer ring R250(CF3 ~ CF5) R500(CF6 ~ CF10-1)		D	C	d	G	G1	B1	B2	B3	C1	d1	d2	H	rs min	f min					Cylindrical outer ring N	Crowned outer ring N		
		Without seals	With seals	Without seals	With seals																						
3	0 -0.010	CF 3MA	CF 3MUUA	CF 3MRA	CF 3MUURA	10	7	3	M3x0.5	5	17	9	—	0.5	—	—	1.5	0.2	6.8	1 350	1 080	360	47 000	1 370	540	0.4	4.5
		CF 3VMA	CF 3VMUUA	CF 3VMRA	CF 3VMUURA															2 570	2 300	360	18 800				
4	0 -0.012	CF 4MA	CF 4MUUA	CF 4MRA	CF 4MUURA	12	8	4	M4x0.7	6	20	11	—	0.5	—	—	2	0.3	8.6	1 890	1 880	780	37 000	1 760	690	1	7.5
		CF 4VMA	CF 4VMUUA	CF 4VMRA	CF 4VMUURA															3 680	3 950	780	14 800				
5	0 -0.012	CF 5MA	CF 5MUUA	CF 5MRA	CF 5MUURA	13	9	5	M5x0.8	7.5	23	13	—	0.5	—	—	2.5	0.3	9.7	2 880	2 540	1 420	29 000	2 250	780	2	10.5
		CF 5VMA	CF 5VMUUA	CF 5VMRA	CF 5VMUURA															4 690	5 060	1 420	11 600				
6	0 -0.012	CF 6MA	CF 6MUUA	CF 6MRA	CF 6MUURA	16	11	6	M6x1	8	28	16	—	0.6	—	—	3	0.3	11	3 330	3 330	2 110	25 000	3 430	1 080	3	18.5
		CF 6VMA	CF 6VMUUA	CF 6VMRA	CF 6VMUURA															6 400	7 840	2 110	12 000				
8	0 -0.015	CF 8MA	CF 8MUUA	CF 8MRA	CF 8MUURA	19	11	8	M8x1.25	10	32	20	—	0.6	—	—	4	0.3	13	3 960	4 330	4 710	20 000	4 020	1 370	8	28.5
		CF 8VMA	CF 8VMUUA	CF 8VMRA	CF 8VMUURA															7 470	10 270	4 710	9 000				
10	0 -0.015	CF10MA	CF10MUUA	CF10MRA	CF10MUURA	22	12	10	M10x1.25	12	36	23	—	0.6	—	—	5	0.3	15	4 950	6 310	6 860	17 000	4 700	1 670	15	45
		CF10VMA	CF10VMUUA	CF10VMRA	CF10VMUURA															8 740	13 340	7 450	7 500				
10	0 -0.015	CF10-1MA	CF10-1MUUA	CF10-1MRA	CF10-1MUURA	26	12	10	M10x1.25	12	36	23	—	0.6	—	—	5	0.3	15	4 950	6 310	6 860	17 000	5 490	2 060	15	60
		CF10-1VMA	CF10-1VMUUA	CF10-1VMRA	CF10-1VMUURA															8 740	13 340	7 450	7 500				
10	0 -0.015	CF10MAK	CF10MUUAK	CF10MRAK	CF10MUURAK	22	12	10	M10x1	12	36	23	—	0.6	4	—	5	0.3	15	4 950	6 310	6 860	17 000	4 700	1 670	15	45
		CF10VMAK	CF10VMUAK	CF10VMRAK	CF10VMUURAK															8 740	13 340	7 450	7 500				
10	0 -0.015	CF10-1MAK	CF10-1MUUAK	CF10-1MRAK	CF10-1MUURAK	26	12	10	M10x1	12	36	23	—	0.6	4	—	5	0.3	15	4 950	6 310	6 860	17 000	5 490	2 060	15	60
		CF10-1VMAK	CF10-1VMUAK	CF10-1VMRAK	CF10-1VMUURAK															8 740	13 340	7 450	7 500				

\* Without seals, suitable for grease lubrication. In case of oil lubrication, up to 130% of this value shall be permissible, and 70% of this value shall apply for types with seals.

OUTER RINGS TOLERANCE (µm)

TYPE	Cylindrical outer ring	Crowned outer ring
CF3M,CF4M,CF5M,CF6M	0/-8	0/-50
CF8M,CF10M,CF10-1M,CF12M	0/-9	0/-50
CF12-1M,CF16M,CF18M,CF20-1M	0/-11	0/-50
CF20M,CF24M,CF24-1M,CF30M	0/-13	0/-50
CF30-1M,CF30-2M	0/-15	0/-50

ACCESSORIES

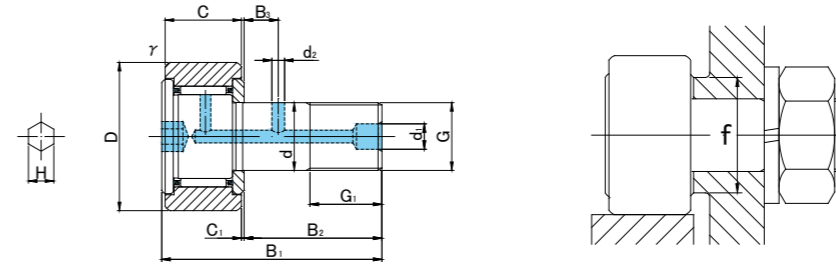
TYPE	STOP PLUG	RESIN PLUG	NUT
CF3M/CF4M/CF5M/CF6M/CF8M/CF10M/CF10-1M	—	—	Attached
CF10MK/CF10-1MK	φ 4 Attached	φ 4 Attached	Attached
CF12M/CF12-1M/CF16M/CF18M	φ 6 Attached	φ 6 Attached	Attached
CF20M/CF20-1M/CF24M/CF24-1M/CF30M/CF30-1M/CF30-2M	φ 8 Attached	φ 8 Attached	Attached



CF..MA



CF..VMA



CF..MA TYPE

Prepacked Grease

Stud diameter (mm)	h7 tolerance	Designation				Dimensions (mm)														Basic dynamic load rating Cr N	Basic static load rating Cor N	Largest permissible load N	Limiting speed * rpm	Track load capacity		Max tightening torque N-m	Mass g (approx)
		Cylindrical outer ring		Crowned outer ring R500(CF12 ~ CF18) R1000(CF20 ≤)		D	C	d	G	G1	B1	B2	B3	C1	d1	d2	H	rs min	f min					Cylindrical outer ring N	Crowned outer ring N		
		Without seals	With seals	Without seals	With seals																						
12	0 -0.018	CF12MA	CF12MUUA	CF12MRA	CF12MUURA	30	14	12	M12×1.5	13	40	25	6	0.6	6	3	6	0.6	20	7 300	9 010	9 800	14 000	7 060	2 450	22	95
		CF12VMA	CF12VMUUA	CF12VMRA	CF12VMUURA															12 350	18 120	11 270	6 000				
12	0 -0.018	CF12-1MA	CF12-1MUUA	CF12-1MRA	CF12-1MUURA	32	14	12	M12×1.5	13	40	25	6	0.6	6	3	6	0.6	20	7 300	9 010	9 800	14 000	7 450	2 740	22	105
		CF12-1VMA	CF12-1VMUUA	CF12-1VMRA	CF12-1VMUURA															12 350	18 120	11 270	6 000				
16	0 -0.018	CF16MA	CF16MUUA	CF16MRA	CF16MUURA	35	18	16	M16×1.5	17	52	32.5	8	0.8	6	3	6	0.6	24	11 080	16 860	18 330	10 000	11 200	3 140	58	170
		CF16VMA	CF16VMUUA	CF16VMRA	CF16VMUURA															19 020	34 610	19 800	4 500				
18	0 -0.018	CF18MA	CF18MUUA	CF18MRA	CF18MUURA	40	20	18	M18×1.5	19	58	36.5	8	0.8	6	3	6	1	26	13 520	23 180	25 200	8 500	14 400	3 720	87	250
		CF18VMA	CF18VMUUA	CF18VMRA	CF18VMUURA															23 250	47 240	26 560	3 500				
20	0 -0.021	CF20MA	CF20MUUA	CF20MRA	CF20MUURA	52	24	20	M20×1.5	21	66	40.5	9	0.8	8	4	8	1	36	19 020	31 830	32 140	7 000	23 200	8 230	120	460
		CF20VMA	CF20VMUUA	CF20VMRA	CF20VMUURA															30 470	59 320	32 140	3 500				
20	0 -0.021	CF20-1MA	CF20-1MUUA	CF20-1MRA	CF20-1MUURA	47	24	20	M20×1.5	21	66	40.5	9	0.8	8	4	8	1	36	19 020	31 830	32 140	7 000	21 000	7 150	120	385
		CF20-1VMA	CF20-1VMUUA	CF20-1VMRA	CF20-1VMUURA															30 470	59 320	32 140	3 500				
24	0 -0.021	CF24MA	CF24MUUA	CF24MRA	CF24MUURA	62	29	24	M24×1.5	25	80	49.5	11	0.8	8	4	8	1	40	28 040	48 410	49 500	6 500	34 200	10 500	220	815
		CF24VMA	CF24VMUUA	CF24VMRA	CF24VMUURA															42 820	84 650	49 500	3 000				
24	0 -0.021	CF24-1MA	CF24-1MUUA	CF24-1MRA	CF24-1MUURA	72	29	24	M24×1.5	25	80	49.5	11	0.8	8	4	8	1	40	28 040	48 410	49 500	6 500	39 800	12 900	220	1 140
		CF24-1VMA	CF24-1VMUUA	CF24-1VMRA	CF24-1VMUURA															42 820	84 650	49 500	3 000				
30	0 -0.021	CF30MA	CF30MUUA	CF30MRA	CF30MUURA	80	35	30	M30×1.5	32	100	63	15	1	8	4	8	1	46	41 740	78 250	73 700	5 000	52 600	14 900	450	1 870
		CF30VMA	CF30VMUUA	CF30VMRA	CF30VMUURA															62 210	132 530	73 700	2 200				
30	0 -0.021	CF30-1MA	CF30-1MUUA	CF30-1MRA	CF30-1MUURA	85	35	30	M30×1.5	32	100	63	15	1	8	4	8	1	46	41 740	78 250	73 700	5 000	56 000	56 000	450	2 030
		CF30-1VMA	CF30-1VMUUA	CF30-1VMRA	CF30-1VMUURA															62 210	132 530	73 700	2 200				
30	0 -0.021	CF30-2MA	CF30-2MUUA	CF30-2MRA	CF30-2MUURA	90	35	30	M30×1.5	32	100	63	15	1	8	4	8	1	46	41 740	78 250	73 700	5 000	59 300	59 300	450	2 220
		CF30-2VMA	CF30-2VMUUA	CF30-2VMRA	CF30-2VMUURA															62 210	132 530	73 700	2 200				

\* Without seals, suitable for grease lubrication. In case of oil lubrication, up to 130% of this value shall be permissible, and 70% of this value shall apply for types with seals.

OUTER RINGS TOLERANCE (µm)

TYPE	Cylindrical outer ring	Crowned outer ring
CF3M,CF4M,CF5M,CF6M	0/-8	0/-50
CF8M,CF10M,CF10-1M,CF12M	0/-9	0/-50
CF12-1M,CF16M,CF18M,CF20-1M	0/-11	0/-50
CF20M,CF24M,CF24-1M,CF30M	0/-13	0/-50
CF30-1M,CF30-2M	0/-15	0/-50

ACCESSORIES

TYPE	STOP PLUG	RESIN PLUG	NUT
CF3M/CF4M/CF5M/CF6M/CF8M/CF10M/CF10-1M	—	—	Attached
CF10MK/CF10-1MK	φ 4 Attached	φ 4 Attached	Attached
CF12M/CF12-1M/CF16M/CF18M	φ 6 Attached	φ 6 Attached	Attached
CF20M/CF20-1M/CF24M/CF24-1M/CF30M/CF30-1M/CF30-2M	φ 8 Attached	φ 8 Attached	Attached