

INNER RINGS STAINLESS STEEL

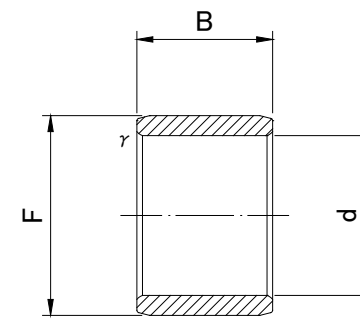
STAINLESS STEEL



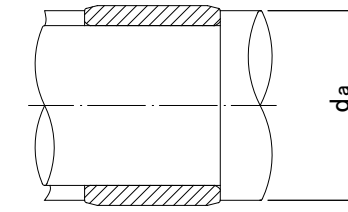
SUS/INOX



IR..M



IR..M

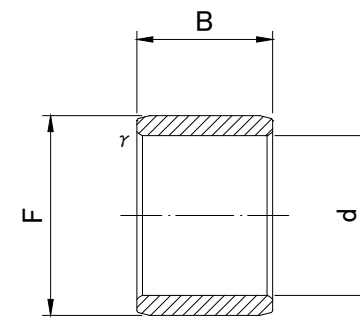


IR..M TYPE

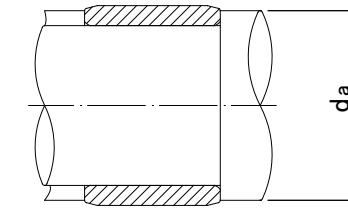
Shaft Diameter (mm)	Designation	Dimensions (mm)				Standard mounting dimensions (mm)		Mass (g approx)	Usable bearing designation	
		d	F	B	r _s min	da			RNA49..M	NK..M
						MIN	MAX			
5	IR 5710M	5	7	10	0.15	6.2	6.7	1.4	RNA495M	—
	IR 5812M	5 ⁰ _{-0.008}	8	12	0.3	7	7.7	3	—	NK8/12M
	IR 5816M	5	8	16	0.3	7	7.7	4	—	NK8/16M
6	IR 6810M	6	8	10	0.15	7.2	7.7	1.7	RNA496M	—
	IR 6912M	6 ⁰ _{-0.008}	9	12	0.3	8	8.7	3.2	—	NK9/12M
	IR 6916M	6	9	16	0.3	8	8.7	4.3	—	NK9/16M
	IR 61010M	6	10	10	0.3	8	9.7	4	—	—
7	IR 7910M	7	9	10	0.15	8.2	8.7	1.9	RNA497M	—
	IR 71012M	7 ⁰ _{-0.008}	10	12	0.3	9	9.7	3.6	—	NK10/12M
	IR 71016M	7	10	16	0.3	9	9.7	5	—	NK10/16M
8	IR 81011M	8 ⁰ _{-0.008}	10	11	0.15	9.2	9.7	2.4	RNA498M	—
	IR 81210M	8	12	10	0.3	10	11	4.8	—	—
9	IR 91211M	9	12	11	0.3	11	11.5	3.1	RNA499M	—
	IR 91212M	9 ⁰ _{-0.008}	12	12	0.3	11	11.5	4.5	—	NK12/12M
	IR 91216M	9	12	16	0.3	11	11.5	6	—	NK12/16M
10	IR 101412M	10	14	12	0.3	12	13	7	—	—
	IR 101413M	10 ⁰ _{-0.008}	14	13	0.3	12	13	7.5	RNA4900M	—
	IR 101416M	10	14	16	0.3	12	13	9	—	NK14/16M
	IR 101420M	10	14	20	0.3	12	13	11.5	—	NK14/20M
12	IR 121612M	12	16	12	0.3	14	15	8	—	—
	IR 121613M	12 ⁰ _{-0.008}	16	13	0.3	14	15	8.5	RNA4901M	—
	IR 121616M	12	16	16	0.3	14	15	10.5	—	NK16/16M
	IR 121620M	12	16	20	0.3	14	15	13.5	—	NK16/20M
15	IR 151916M	15	19	16	0.3	17	18	12.5	—	NK19/16M
	IR 151920M	15 ⁰ _{-0.008}	19	20	0.3	17	18	16	—	NK19/20M
	IR 152012M	15	20	12	0.3	17	19	12	—	—
	IR 152013M	15	20	13	0.3	17	19	13.5	RNA4902M	—
17	IR 172213M	17 ⁰ _{-0.008}	22	13	0.3	19	21	15.5	RNA4903M	—
	IR 172216M	17	22	16	0.3	19	21	19	—	—



IR..M



IR..M



IR..M TYPE

Shaft Diameter (mm)	Designation	Dimensions (mm)				Standard mounting dimensions (mm)	Mass	Usable bearing designation			
		d	F	B	r _s min			da		RNA49..M	NK..M
								MIN	MAX		
20	IR 202516M	20 ⁰	25	16	0.3	22	24	— RNA4904M	—		
	IR 202517M	20 ^{-0.010}	25	17	0.3	22	24				
25	IR 253016M	25 ⁰	30	16	0.3	27	29	— RNA4905M	—		
	IR253017M	25 ^{-0.010}	30	17	0.3	27	29				
30	IR 303820M	30 ⁰ -0.010	38	20	0.6	34	37	—	—		
35	IR 354220M	35 ⁰ -0.012	42	20	0.6	39	41	—	—		
50	IR 506020M	50 ⁰ -0.012	60	20	1	55	59	—	—		

IR..M

IR..M