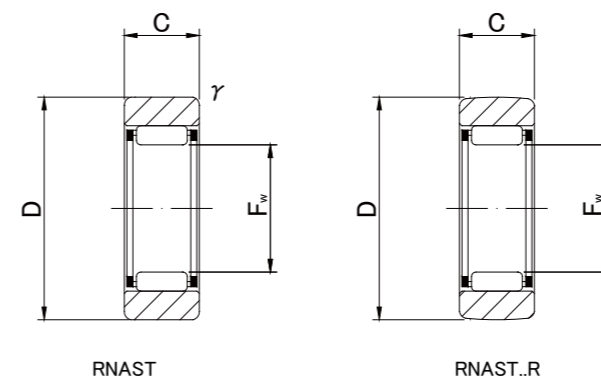


ROLLER FOLLOWERS

SEPARABLE WITHOUT INNER RING



RNAS T



RNAS T TYPE

Prepacked Grease

Shaft Diameter (mm)	Designation		Dimensions (mm)				Basic dynamic load rating	Basic static load rating	Track load capacity		Limiting speed *	Mass		
	Cylindrical outer ring	Crowned outer ring (R500)	Fw	D	C	r/s min			Cr N	Cor N			Cylindrical outer ring N	Crowned outer ring N
7	RNAS T 5	RNAS T 5R	7 ^{+0.022} / _{+0.013}	16	7.8	0.3	2 740	2 390	2 350	1 080	30 000	8.9		
10	RNAS T 6	RNAS T 6R	10 ^{+0.027} / _{+0.016}	19	9.8	0.3	4 120	4 550	3 530	1 370	20 000	13.9		
12	RNAS T 8	RNAS T 8R	12 ^{+0.027} / _{+0.016}	24	9.8	0.6	5 680	5 890	4 020	1 860	17 000	23.5		
14	RNAS T10	RNAS T10R	14 ^{+0.027} / _{+0.016}	30	11.8	1	9 700	9 670	5 590	2 450	15 000	42.5		
16	RNAS T12	RNAS T12R	16 ^{+0.027} / _{+0.016}	32	11.8	1	10 400	10 900	5 980	2 740	13 000	49.5		
20	RNAS T15	RNAS T15R	20 ^{+0.033} / _{+0.020}	35	11.8	1	12 300	14 300	6 570	3 140	10 000	50		
22	RNAS T17	RNAS T17R	22 ^{+0.033} / _{+0.020}	40	15.8	1	17 400	20 900	10 900	3 720	9 500	90		
25	RNAS T20	RNAS T20R	25 ^{+0.033} / _{+0.020}	47	15.8	1	19 200	24 500	12 700	4 610	8 500	135		
30	RNAS T25	RNAS T25R	30 ^{+0.033} / _{+0.020}	52	15.8	1	20 700	28 400	14 100	5 290	7 000	152		
38	RNAS T30	RNAS T30R	38 ^{+0.041} / _{+0.025}	62	19.8	1	30 300	45 400	22 100	6 660	5 500	255		
42	RNAS T35	RNAS T35R	42 ^{+0.041} / _{+0.025}	72	19.8	1	32 200	50 600	25 700	8 130	5 000	375		
50	RNAS T40	RNAS T40R	50 ^{+0.041} / _{+0.025}	80	19.8	1.5	35 700	61 100	26 900	9 310	4 000	420		
55	RNAS T45	RNAS T45R	55 ^{+0.049} / _{+0.030}	85	19.8	1.5	37 100	66 400	28 500	10 100	4 000	460		
60	RNAS T50	RNAS T50R	60 ^{+0.049} / _{+0.030}	90	19.8	1.5	38 700	71 800	30 200	11 000	3 500	500		

* Suitable for grease lubrication. In case of oil lubrication, up to 130% of this value shall be permissible.

OUTER RINGS TOLERANCE (µm)

TYPE	Cylindrical outer ring	Crowned outer ring
RNAS T5	0/-8	0/-50
RNAS T6,RNAS T8,RNAS T10	0/-9	0/-50
RNAS T12,RNAS T15,RNAS T17,RNAS T20	0/-11	0/-50
RNAS T25,RNAS T30,RNAS T35,RNAS T40	0/-13	0/-50
RNAS T45,RNAS T50	0/-15	0/-50